

AZATOM®

Horizon 2 DAB Radio

DAB, DAB+, FM Retro Radio with Bluetooth



Digital Radio



FM Radio



AUX IN/OUT



Bluetooth



EQ Controls



USB Charge



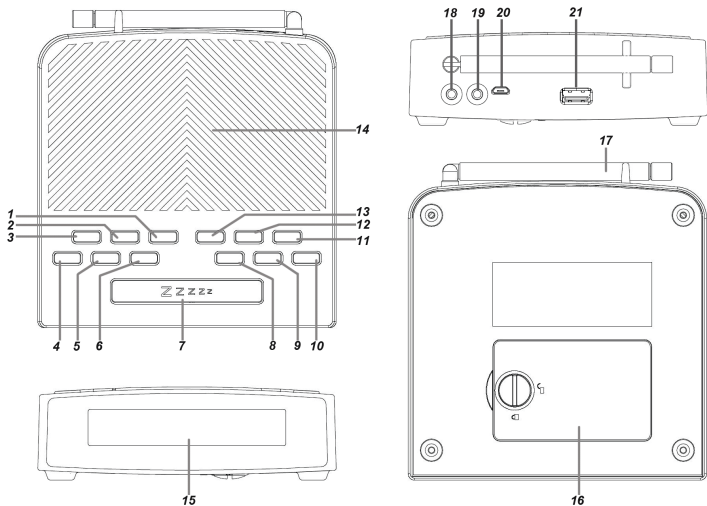
User Manual

This manual is available to download online at www.azatom.com

Contents

Section:	Page:
Controls & Interface.....	4
What's In The Box?.....	5
Technical Specifications.....	6
Using the Horizon DAB Radio.....	7
Power Supply / Battery Use / USB Charge	
DAB	
Operating your radio.....	8
Selecting a station / Finding new radio stations	
Auto Scan.....	9
Manual Tuning	
Dynamic Range Control Settings	
FM	
Auto Search Tuning / Manual Tuning.....	10
Pre-set Stations – FM & DAB	
Recalling Pre-sets.....	11
Brightness Setting / Sleep Function	
Time/Date Setting / Alarm Setting	
Snooze - Stop Alarm - Disable Alarms.....	12
Bluetooth / AUX-IN.....	13
Factory Reset / Earphones (<i>Not Included</i>).....	15

Controls & Interface



1. Alarm 1 / 2 button
2. SLEEP button
3. MODE button
4. ON/OFF button

(press to switch radio on, press to put the unit into standby -
 you can't power off when connected to the mains power
 supply, you can only power off when using battery power)

5. MENU/INFO button
6. VOLUME - button
7. Snooze/Dimmer button (Dimmer for brightness setting)
8. VOLUME + button
9. Preset button
10. Preset 1/2/3/4 button
11. SCAN/Fast-Forward/CH+/TUN+ Button
12. SELECT/PLAY/PAUSE button (Play/Pause for Bluetooth mode)
13. Rewind/CH-/TUN- Button
14. Speaker
15. LCD Display
16. Battery compartment cover
17. Telescopic aerial
18. Aux-in
19. Earphone socket
20. DC input socket (5V, 500MA)
21. USB charge port (5v, 500MA for mobile phones)

What's in the box?

- **AZATOM®** Horizon DAB Radio
- User Manual
- Power Adapter
- **AZATOM®** Warranty Card

Technical Specifications

Power requirement mains (via adaptor): AC 100-240V

50/60Hz DC 5V 500mA

Battery: AAA x 4 (1.5V x 4) alkaline battery

Frequency Coverage

FM: 87.5-108MHz

DAB: 174.928 - 239.200MHz

Circuit Features:

Loudspeaker: 3.0 inch

Output power: 3W (speaker)

Earphone socket: 3.5mm dia. stereo

Aerial system:

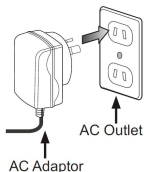
FM: telescopic aerial

DAB: telescopic aerial

Using the Horizon DAB Radio

Power supply (Adapter):

Insert the mains adapter into your AC power socket. Connect into the 5V Micro USB charging port of the back of the device.



CAUTION:

*Only use the supplied power adapter for this device.
Do not use the included power adapter for other devices.*

NOTE: Disconnect from mains power supply during longer periods of non-use.

Battery use:

Please note when using battery mode the battery symbol "🔋" will appear on the display screen showing the remaining battery level.



USB Charge:

The USB charge port is 5V 500mah output for charging additional devices such as mobile phones.

Operating your radio - DAB:

1. Carefully extend the telescopic aerial.
2. Press the ON/OFF button to switch on your radio. The display will display "Welcome to digital radio."
3. If this is the first time the unit goes into DAB Mode, it will automatically start an 'Auto Scan' to search for available stations. *(Once DAB Mode has been used before, the Horizon will automatically select the previously played station).*
4. Pressing and holding "SCAN" at any time will automatically start an auto scan. During the scanning process, the lower line of the display shows a bar-graph indicating progress of the scan.
5. When the scanning is completed the first station (in alphanumeric order) will be selected. The clock will automatically set to the current time.
6. If the station list is still empty after the scan your radio will display "Service not available".
7. If no stations are found, please ensure the aerial is extended and test the reception by doing another auto scan in a different location inside or outside of your home.

Selecting a station – DAB:

1. The top line of the display shows the name of the station currently selected.
2. Push the Fast-Forward or Rewind buttons to select the list of available stations on the lower line of the display, and push the ENTER button to confirm the desired station.

Finding new radio stations - DAB:

1. Press the display will show "FULL SCAN".
2. Press "SCAN" for auto scan. The display will show "Scanning..." and your radio will perform a scan of the Band III DAB channels. As new radio stations are found the station counter on the right-hand side of the display will increase and the radio stations will be added to the list stored in the radio.

Secondary services – DAB:

1. Some radio stations have additional secondary services associated with them. If a radio station has a secondary service associated with it the display will show ">>" next to the station name on the station list. The secondary service will then appear immediately after the primary services as you push the Fast-Forward or Rewind buttons.
2. Press ENTER to select the station
3. When the secondary service shuts down, your radio will automatically switch back to the main radio station if it is available.

Auto Scan – DAB:

As an alternative to clicking the menu to select a station your radio can be set to automatically select a station.

1. Press the MENU button and Fast-Forward or Rewind buttons until you find "FULL SCAN".
2. Press ENTER to confirm the selection. When tuning your radio will now automatically select a station from the station list.

Manual Tuning – DAB:

1. Press MENU and the Fast-Forward or Rewind buttons until the display show "Manual Scan", press ENTER to enter the Services Menu.
2. Press the Fast-Forward or Rewind buttons to highlight the desired channel.
3. Press MENU, the graph will indicate the signal strength, and the upper line will show the name of the DAB stations. Any stations found will be added to the stored list in the radio.
4. Press MENU to return to the normal tuning mode.

Dynamic Range Control Settings – DAB:

Dynamic Range Control (*also known as DRC*) is a technology used to help make quieter sounds easier to hear in a noisy environment.

1. Press the ON/OFF button to switch on your radio.
2. Press MENU then the Fast-Forward or Rewind buttons until the display shows "DRC". Press ENTER to enter the settings menu.
3. Press the Fast-Forward or Rewind buttons until "DRC" is highlighted.
4. Press ENTER to enter the adjustment mode.
5. Press the Fast-Forward or Rewind buttons to select the required DRC setting (*the default is 0*).

DRC OFF - DRC is switched off, Broadcast DRC will be ignored.

DRC LOW - DRC level is set to 1/2 that sent by broadcaster.

DRC HIGH - DRC level is used as sent by broadcaster.

6. Press MENU to confirm the setting. The display will return back to normal.



Note: Not all DAB broadcasts are able to use the DRC function.

Auto Search Tuning – FM:

1. Extend the telescopic aerial fully and press the **ON/OFF** button to switch on your radio.
2. Press **MODE** to enter **FM mode**.
3. Press the **Fast Forward** button and hold for 2 seconds, your radio will scan and stop automatically when it finds a station of sufficient strength.
4. After a few seconds the display will update. The display will show the station frequency. If the signal is strong enough and the station has RDS data present then the radio will display the station name.
5. To find other stations, press and hold the **Fast Forward** button as before.
6. To scan the FM band in the opposite direction (*high frequency to low frequency*) press the **Fast Forward** button and hold for 2 seconds.
7. When the scan has reached the end of the frequency range your radio will commence tuning from the beginning of the frequency range until scan is complete.

Manual Tuning – FM:

1. Carefully extend the telescopic aerial fully and press the **ON/OFF** button to switch on your radio.
2. Select **FM mode**.
3. Press the **Fast-Forward** or **Rewind** buttons to tune to a station. With each press of tuning the frequency will change up or down by 50 kHz.
4. When the scan has reached the end of the frequency range your radio will commence tuning from the beginning of the frequency range until scan is complete.

Pre-set Stations – FM and DAB:

You may store your preferred **DAB** and **FM** radio stations to the pre-set station memories. There are **60** memory pre-sets in your radio, **30** for **DAB** and **30** for **FM**.

1. Press **ON/OFF** button to switch on the radio.
2. Select the desired waveband.
3. Tune to the required station as previously described.
4. Press and hold **"PRESET"**, when **"Preset Store"** is shown on the display release the button and use the arrow buttons to highlight the desired preset slot.
5. Press **ENTER** to confirm, for example, **"Pre-set 01 stored"**. The station will be stored under the chosen pre-set. Repeat this procedure as needed.
6. Stations which have been stored in pre-set memories may be overwritten by following the above procedure.

Recalling Pre-sets:

1. Press the **ON/OFF** button to switch on the radio.
2. Press **PRE-SET** shortly, then the display shows *"Pre-set Recall"* then press **ENTER** to tune to the station stored in pre-set memory.

Note: If you have not previously stored a pre-set station and the pre-set button is pressed "Empty pre-set" will be displayed.

Brightness settings:

Press the **Dimmer/Snooze** button for four levels of brightness: High, Medium, Low and Sleep low.

Sleep function:

Your radio can be set to turn off after a pre-set time has elapsed.

The sleep setting can be adjusted between 15 and 90 minutes. Ensure your radio is switched on.

1. Press **SLEEP** until *"Set Sleep time"* is highlighted on the display.
2. Press **SLEEP** continuously to set 15, 30, 45, 60, 75 and 90 minutes or Sleep Off which will cancel the sleep function.
3. The sleep timer indicator "☞" will show on the display. Your radio will switch off after the pre-set sleep time has elapsed.

Time/Date Setting:

When you have no **DAB/FM** signal, you'll need to set the **TIME** and **DATE** manually.

1. Press **MENU** to enter the settings menu.
2. Press the **Fast-Forward** or **Rewind** buttons until *"Settings"*, press **ENTER** to confirm.
3. Press the **Fast-Forward** or **Rewind** buttons until *"Set Time/Date"*, press **ENTER** to confirm.
Or the **Fast-Forward** or **Rewind** buttons to set the time **AUTO UPDATE 12/24** hours, and date format as well.
4. Press the **Fast-Forward** or **Rewind** buttons and **ENTER** to set the correct time and date.

Alarm Setting:

NOTE: PLEASE SELECT A RADIO STATION BEFORE SETTING THE ALARM.

You will be given the option to choose from last station used or one of your favourite pre-set stations.

1. Press **ALARM1/2** to enter the setting menu.
2. Press the **Fast-Forward** or **Rewind** buttons to set the alarm time and press **ENTER** to confirm.
3. Press the **Fast-Forward** or **Rewind** buttons to set the duration 15, 30, 45, 60, 90 minutes and press **ENTER** to confirm.

4. Press the Fast-Forward or Rewind buttons To set the alarm source and **ENTER** to confirm.
5. If you choose DAB radio or FM radio as your alarm you can choose from last station listened or choose from your favourite pre-set channels 01 to 30

Press the Fast-Forward or Rewind buttons to scroll between last listened and pre-set channels.

6. Press the Fast-Forward or Rewind buttons to set the Once / Daily / Weekdays / Weekends, choose the days on which the alarm is active.

Alarm will only sound for 1 day only.

Alarm will sound for 7 days of the week.

Alarm will sound Monday to Friday.

Alarm will sound Saturday and Sunday.

7. Press the Fast-Forward or Rewind buttons to set the alarm volume and press **ENTER** to confirm.
8. Press the Fast-Forward or Rewind buttons and **ENTER** to save the alarm setting.

Snooze - Stop Alarm - Disable Alarms:

1. When the alarm sounds, pressing the ZZZZZ button will temporarily silence (SNOOZE) the alarm, you can choose the time from 5, 10, minutes and snooze off.
2. The snooze function also has a countdown allowing you to see how long before the alarm re-sounds.

Stop Alarm

When the alarm is sounding you can press any buttons except the Snooze button one time to stop the alarm sound. The Horizon will then return to Standby mode.

How to Enable or Disable your Alarms 1 or 2 once you have set them:

Must be in STANDBY mode:

Short press  1/2 for Alarm 1 & 2 on

Short press  1/2 for Alarm 1 & 2 off

You will see the  1 symbol on display screen when Alarm 1 is active.

You will see the  2 symbol on display screen when Alarm 2 is active.

You will see the  1/ 2 symbol on display screen when Alarm 1 and 2 are active.

Bluetooth:

Bluetooth allows you to stream your music wirelessly from any Bluetooth-enabled media player, including smartphones, tablets, laptops and other MP3 Players. To pair your device via Bluetooth for the 1st time:

1. Select the Bluetooth Mode by pressing the "MODE" button.
2. After a few seconds the screen will then say "BT SEARCHING" and the speaker automatically goes into pairing mode.
3. On your Bluetooth Device do a search and once available please select "AZATOM Horizon 2".
4. After 5-20 seconds the screen will say "BT connected".
5. You are ready to start streaming via Bluetooth. Play any sound on your Bluetooth device and listen on the speaker.

Whenever the Bluetooth Mode is selected, the Horizon will automatically go into pairing mode and either pair with the last paired device (if in range) or be available for pairing to a new device.

AUX-IN:

Aux-in mode plays audio from an external source such as a smartphone or tablet.

1. Plug one end of 3.5mm audio cable (excluded) into the headphone or line out jack on your player, plug the other end of cable into the unit AUX-IN jack on the back of the unit.
2. Turn on the external audio source and play your device.
3. Press MODE button to "Auxiliary Input" mode.
4. The volume level can be now controlled through the main unit. Operate all other functions on the external device as usual.

Note: Please ensure the cable is disconnected to listen to the Horizon in other modes such as DAB or Bluetooth.

Factory reset:

If your radio fails to operate correctly, or some digits on the display are missing or incomplete, it may be possible to restore normal operation by carrying out a system reset on your radio. This will restore the radio's settings to the factory default. No presets will be stored, and the list of DAB radio stations will be empty.

1. Press MENU to enter the menu.
2. Press the Fast-Forward or Rewind buttons until the display shows "Settings", then press ENTER to enter the settings menu.
3. Press the Fast-Forward or Rewind buttons until the display shows "Factory Reset". Press ENTER.
4. If you wish to perform the reset operation, push the Fast-Forward or Rewind buttons until "YES" is highlighted on the display and press. A full reset of your radio will be performed. All presets and station lists will be erased.

If you do not wish to reset your radio press the Fast-Forward or Rewind buttons until "NO" is highlighted. Your radio will return to the previous menu.

5. After a system reset a scan of the DAB band will be performed.

In case of malfunction due to electrostatic discharge, reset the product (temporary disconnection of the power adaptor may be required) to resume normal operation.

Using Earphones:

1. Plug the earphones into the Earphone socket on the back of your radio.
2. Check that the Volume level is not too loud before listening through the earphones.

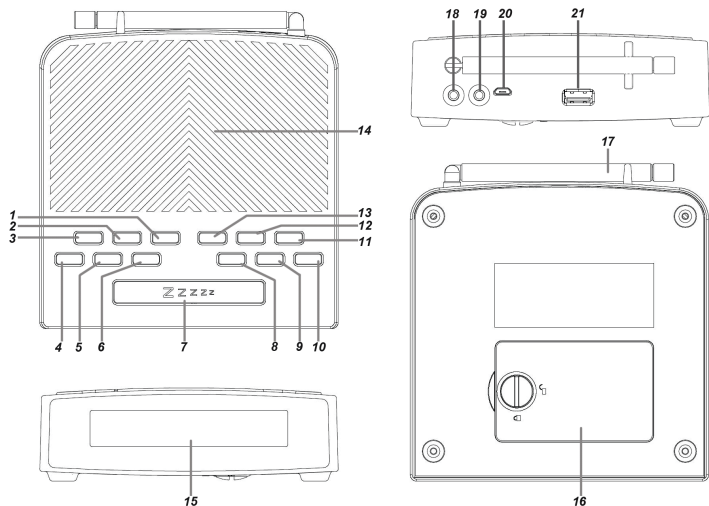


DEUTSCHE

Inhalt

Sektion:	Seite:
Bedienelemente & Schnittstelle	20
Was ist in der Box?.....	21
Technische Spezifikationen.....	22
Verwenden des Horizon DAB-Radios	23
Netzteil / Akkubetrieb / USB-Ladung	
TUPFEN	
Bedienung Ihres Radios	24
Sender auswählen / Neue Radiosender suchen	
Auto Scan	25
Manuelle Abstimmung	
Einstellungen zur Steuerung des Dynamikbereichs	
FM	
Auto Search Tuning / Manual Tuning	26
Voreingestellte Sender - FM & DAB	
Abrufen von Voreinstellungen	27
Helligkeitseinstellung / Sleep-Funktion	
Zeit- / Datumseinstellung / Alarmeinstellung	
Snooze - Stop Alarm - Alarme deaktivieren	28
Bluetooth / AUX-IN	29
Werkseinstellung / Kopfhörer (nicht im Lieferumfang enthalten).....	31

Bedienelemente & Schnittstelle



1. Alarm 1/2-Taste

2. SLEEP-Taste

3. MODE-Taste

4. EIN / AUS-Taste

(Drücken Sie, um das Radio einzuschalten. Drücken Sie, um das Gerät in den Standby-Modus zu versetzen. - Sie können das Gerät nicht ausschalten, wenn es an das Stromnetz angeschlossen ist Stromversorgung, kann nur bei Batteriebetrieb abgeschaltet werden)

5. MENU / INFO-Taste
6. LAUTSTÄRKE - Taste
7. Snooze / Dimmer-Taste (Dimmer zur Helligkeitseinstellung)
8. VOLUME + Taste
9. Voreinstellungstaste
10. Speichern Sie die 1/2/3/4 Taste
11. SCAN / Fast-Forward / CH + / TUN + Taste
12. SELECT / PLAY / PAUSE-Taste (Wiedergabe / Pause für Bluetooth-Modus)
13. Rücklauf / CH- / TUN- Taste
14. Lautsprecher
15. LCD-Anzeige
16. Batteriefachdeckel
17. Teleskopantenne
18. Aux-In
19. Kopfhöreranschluss
20. DC-Eingangsbuchse (5 V, 500 mA)
21. USB-Ladeanschluss (5 V, 500 mA für Mobiltelefone)

Was ist in der Box?

- **AZATOM®** Horizon DAB Radio
- Benutzerhandbuch
- Netzteil
- **AZATOM®** Garantiekarte

Technische Spezifikationen

**Strombedarf Netz (über Adapter): AC 100-240V 50 /
60Hz DC 5V 500mA**

Batterie: Alkalibatterie AAA x 4 (1,5 V x 4)

Frequenzbereich

FM: 87,5-108 MHz

DAB: 174.928 - 239.200 MHz

Schaltungsmerkmale:

Lautsprecher: 3,0 Zoll

Ausgangsleistung: 3W (Lautsprecher)

Kopfhörerbuchse: 3,5 mm Durchmesser Stereo

Antennensystem:

FM: Teleskopantenne

DAB: Teleskopantenne

Verwenden des Horizon DAB-Radios

Netzteil (Adapter):

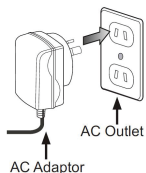
Stecken Sie den Netzadapter in die Steckdose. Verbinden Sie sich mit Der 5-V-Micro-USB-Ladeanschluss auf der Rückseite des Geräts.



VORSICHT:

Verwenden Sie für dieses Gerät nur das mitgelieferte Netzteil.
Verwenden Sie das mitgelieferte Netzteil nicht für andere Geräte.

HINWEIS: Trennen Sie das Gerät bei längerer Nichtbenutzung vom Stromnetz.



Batterienutzung:

Bitte beachten Sie, dass im Batteriemodus das Batteriesymbol "🔋" auf dem Display erscheint und den verbleibenden Batteriestand anzeigt.



USB-Ladung:

Der USB-Ladeanschluss hat eine Ausgangsspannung von 5 V und 500 mAh zum Laden zusätzlicher Geräte wie Mobiltelefone.

Bedienung Ihres Radios - DAB:

1. Ziehen Sie die Teleskopantenne vorsichtig heraus.
2. Drücken Sie die EIN / AUS-Taste, um Ihr Radio einzuschalten. Das Display zeigt an "Willkommen beim digitalen Radio."
3. Wenn das Gerät zum ersten Mal in den DAB-Modus wechselt, wird automatisch ein automatischer Suchlauf gestartet um nach verfügbaren Sendern zu suchen. (Sobald der DAB-Modus zuvor verwendet wurde, wird der Horizon automatisch den zuvor gespielten Sender auswählen).
4. Durch Drücken und Halten von „SCAN“ wird automatisch ein automatischer Suchlauf gestartet. Während des Scanvorgangs wird in der unteren Zeile des Displays ein Balkendiagramm angezeigt, das den Fortschritt anzeigt des Scans.
5. Wenn der Scanvorgang abgeschlossen ist, wird der erste Sender (in alphanumerischer Reihenfolge) ausgewählt Die Uhr stellt sich automatisch auf die aktuelle Uhrzeit ein.
6. Wenn die Senderliste nach dem Suchlauf noch leer ist, zeigt Ihr Radio "Dienst nicht verfügbar" an.
7. Wenn keine Sender gefunden werden, stellen Sie bitte sicher, dass die Antenne ausgezogen ist, und testen Sie den Empfang, indem Sie dies tun ein weiterer automatischer Scan an einem anderen Ort innerhalb oder außerhalb Ihres Hauses.

Sender auswählen - DAB:

1. In der oberen Displayzeile wird der Name des aktuell ausgewählten Senders angezeigt.
2. Drücken Sie die Schnellvorlauf- oder Rücklaufftaste, um die Liste der verfügbaren Sender in der unteren Zeile des Displays auszuwählen, und drücken Sie die ENTER-Taste, um den gewünschten Sender zu bestätigen.

Suche nach neuen Radiosendern - DAB:

1. Drücken Sie auf das Display, um "FULL SCAN" anzuzeigen.
2. Drücken Sie „SCAN“, um automatisch zu scannen. Das Display zeigt "Scanning .." und Ihr Radio wird funktionieren Ein Scan der Band III DAB-Kanäle. Wenn neue Radiosender gefunden werden, befindet sich der Stationszähler auf der Die rechte Seite des Displays wird vergrößert und die Radiosender werden der gespeicherten Liste hinzugefügt im Radio.

Sekundärdienste - DAB:

1. Mit einigen Radiosendern sind zusätzliche Sekundärdienste verbunden. Wenn ein Radiosender ist ein sekundärer Dienst zugeordnet, wird auf dem Display ">>" neben dem Sendernamen angezeigt die Senderliste. Der sekundäre Dienst wird dann unmittelbar nach dem primären Dienst als angezeigt Sie drücken die Schnellvorlauf- oder Rücklaufftaste.
2. Drücken Sie ENTER, um den Sender auszuwählen
3. Wenn der sekundäre Dienst heruntergefahren wird, schaltet Ihr Radio automatisch wieder auf den Hauptdienst um Radiosender, falls verfügbar.

Auto Scan - DAB:

Alternativ zum Klicken auf das Menü zur Auswahl eines Senders kann Ihr Radio so eingestellt werden, dass automatisch ein Sender ausgewählt wird.

1. Drücken Sie die MENU-Taste und die Schnellvorlauf- oder Schnellrückkluftaste, bis „FULL SCAN“ angezeigt wird.
2. Drücken Sie ENTER, um die Auswahl zu bestätigen. Beim Einstellen Ihres Radios wird nun automatisch ein ausgewählter Sender aus der Senderliste.

Manuelle Abstimmung - DAB:

1. Drücken Sie MENU und die Schnellvorlauf- oder Schnellrückkluftaste, bis auf dem Display „Manual Scan“ (Manueller Scan) angezeigt wird. Drücken Sie die EINGABETASTE, um das Menü Dienste aufzurufen.
2. Drücken Sie die Schnellvorlauf- oder Rückkluftaste, um den gewünschten Kanal zu markieren.
3. Drücken Sie MENU. Das Diagramm zeigt die Signalstärke an und in der oberen Zeile wird der Name angezeigt der DAB-Sender. Alle gefundenen Sender werden der gespeicherten Liste im Radio hinzugefügt.
4. Drücken Sie MENU, um zum normalen Sendersuchlauf zurückzukehren.

Einstellungen zur Steuerung des Dynamikbereichs - DAB:

Dynamic Range Control (auch als DRC bezeichnet) ist eine Technologie, die dazu beiträgt, leisere Sounds zu erzeugen in einer lauten Umgebung besser zu hören.

1. Drücken Sie die EIN / AUS-Taste, um Ihr Radio einzuschalten.
2. Drücken Sie MENU und dann die Schnellvorlauf- oder Schnellrückkluftaste, bis auf dem Display „DRC“ angezeigt wird. Drücken Sie ENTER, um das Einstellungs Menü aufzurufen.
3. Drücken Sie die Schnellvorlauf- oder Rückkluftaste, bis „DRC“ markiert ist.
4. Drücken Sie ENTER, um den Einstellmodus aufzurufen.
5. Drücken Sie die Schnellvorlauf- oder Rückkluftaste, um die gewünschte DRC-Einstellung auszuwählen (die Standardeinstellung ist 0).

DRC OFF - DRC ist ausgeschaltet, Broadcast DRC wird ignoriert.

DRC LOW (DRC NIEDRIG) - Der DRC-Pegel ist auf 1/2 des vom Sender gesendeten Werts eingestellt.

DRC HIGH - DRC-Pegel wird wie vom Sender gesendet verwendet.

6. Drücken Sie MENU, um die Einstellung zu bestätigen. Die Anzeige kehrt zum Normalzustand zurück.



Hinweis: Nicht alle DAB-Sendungen können die DRC-Funktion verwenden.

Automatische Suche - UKW:

1. Ziehen Sie die Teleskopantenne vollständig heraus und drücken Sie die EIN / AUS-Taste, um Ihr Radio einzuschalten.
2. Drücken Sie MODE, um den FM-Modus aufzurufen.
3. Drücken Sie die Schnellvorlauftaste und halten Sie sie 2 Sekunden lang gedrückt. Ihr Radio wird suchen und anhalten automatisch, wenn ein Sender mit ausreichender Stärke gefunden wird.
4. Nach einigen Sekunden wird die Anzeige aktualisiert. Das Display zeigt die Senderfrequenz an. Wenn das Signal ist stark genug und der Sender hat RDS-Daten. Dann zeigt das Radio die an Stationsname.
5. Um andere Sender zu suchen, halten Sie die Schnellvorlauftaste wie zuvor gedrückt.
6. Um das UKW-Band in die entgegengesetzte Richtung (Hochfrequenz zu Niederfrequenz) zu urchsuchen, drücken Sie die Taste Schnellvorlauftaste und 2 Sekunden gedrückt halten.
7. Wenn der Suchlauf das Ende des Frequenzbereichs erreicht hat, beginnt das Radio mit der Sendersuche vom Beginn des Frequenzbereichs bis zum Abschluss des Suchlaufs.

Manuelle Sendersuche - UKW:

1. Ziehen Sie die Teleskopantenne vorsichtig vollständig heraus und drücken Sie die EIN / AUS-Taste, um Ihr Radio einzuschalten.
2. Wählen Sie den FM-Modus.
3. Drücken Sie die Schnellvorlauf- oder Rücklauftaste, um einen Sender einzustellen. Mit jedem Drück en der Taste Die Frequenz ändert sich um 50 kHz nach oben oder unten.
4. Wenn der Suchlauf das Ende des Frequenzbereichs erreicht hat, beginnt das Radio mit der Sender suche vom Beginn des Frequenzbereichs bis zum Abschluss des Suchlaufs.

Voreingestellte Sender - UKW und DAB:

Sie können Ihre bevorzugten DAB- und UKW-Radiosender in den voreingestellten Senderspeichern speichern. Dort In Ihrem Radio sind 60 Speicherplätze gespeichert, 30 für DAB und 30 für UKW.

1. Drücken Sie die ON / OFF-Taste, um das Radio einzuschalten.
2. Wählen Sie den gewünschten Wellenbereich.
3. Stellen Sie den gewünschten Sender wie zuvor beschrieben ein.
4. Halten Sie „PRESET“ gedrückt, und lassen Sie die Taste und los, wenn „Preset Store“ auf dem Display angezeigt wird Verwenden Sie die Pfeiltasten, um den gewünschten voreingestellten Steckplatz zu markieren.
5. Drücken Sie die EINGABETASTE, um beispielsweise „Voreingestellt 01 gespeichert“ zu bestätigen. Der Sender wird unter dem gespeichert Voreinstellung gewählt. Wiederholen Sie diesen Vorgang nach Bedarf.
6. Sender, die in voreingestellten Speichern gespeichert wurden, können wie oben beschrieben überschrieben werden Verfahren.

Presets aufrufen:

1. Drücken Sie die EIN / AUS-Taste, um das Radio einzuschalten.
2. Drücken Sie kurz die Taste PRE-SET. Auf dem Display wird „Preset Recall“ angezeigt. Drücken Sie anschließend die Taste ENTER, um die Einstellung vorzunehmen der im voreingestellten Speicher abgelegte Sender.

Hinweis: Wenn Sie noch keinen voreingestellten Sender gespeichert haben und die voreingestellte Taste gedrückt wird „Empty Preset“ wird angezeigt.

Helligkeitseinstellungen:

Drücken Sie die Dimmer / Snooze-Taste für vier Helligkeitsstufen: Hoch, Mittel, Niedrig und Niedrig schlafen.

Schlaffunktion:

Ihr Radio kann so eingestellt werden, dass es nach Ablauf einer voreingestellten Zeit ausgeschaltet wird. Die SchlafEinstellung kann zwischen 15 und 90 Minuten eingestellt werden. Stellen Sie sicher, dass Ihr Radio eingeschaltet ist.

1. Drücken Sie SLEEP, bis „Set Sleep time“ im Display markiert ist.
2. Drücken Sie auf SLEEP, um 15, 30, 45, 60, 75 und 90 Minuten einzustellen, oder auf Sleep Off Beenden Sie die Sleep-Funktion.
3. Die Sleep-Timer-Anzeige „t“ erscheint auf dem Display. Ihr Radio schaltet sich nach der Voreinstellung aus Die Schlafzeit ist abgelaufen.

Uhrzeit- / Datumseinstellung:

Wenn Sie kein DAB / FM-Signal haben, müssen Sie die UHRZEIT und das DATUM manuell einstellen.

1. Drücken Sie MENU, um das Einstellungsmenü aufzurufen.
2. Drücken Sie die Schnellvorlauf- oder Rückkluftaste, bis „Einstellungen“ angezeigt wird, und drücken Sie zur Bestätigung die EINGABETASTE.
3. Drücken Sie die Schnellvorlauf- oder Rückkluftaste, bis „Set Time / Date“ (Uhrzeit / Datum einstellen) angezeigt wird, und drücken Sie zur Bestätigung ENTER Oder die Schnellvorlauf- oder Schnellrückkluftasten, um die Zeit AUTO UPDATE 12/24 Stunden und das Datum einzustellen auch formatieren.
4. Drücken Sie die Schnellvorlauf- oder Rückkluftaste und ENTER, um die richtige Uhrzeit und das richtige Datum einzustellen.

Alarmeinrichtung:

HINWEIS: BITTE WÄHLEN SIE EINEN FUNKSENDER, BEVOR SIE DEN ALARM EINSTELLEN.

Sie haben die Möglichkeit, zwischen dem zuletzt verwendeten Sender oder einem Ihrer bevorzugten voreingestellten Sender zu wählen.

1. Drücken Sie ALARM1 / 2, um das Einstellungsmenü aufzurufen.
2. Drücken Sie die Schnellvorlauf- oder Rückkluftaste, um die Weckzeit einzustellen, und drücken Sie zur Bestätigung die EINGABETASTE.
3. Drücken Sie die Schnellvorlauf- oder Rückkluftaste, um die Dauer von 15, 30, 45, 60, 90 Minuten einzustellen und bestätigen Sie mit ENTER.

4. Drücken Sie die Schnellvorlauf- oder Rücklaftaste, um die Alarmquelle einzustellen, und bestätigen Sie mit ENTER.
5. Wenn Sie DAB-Radio oder UKW-Radio als Wecker auswählen, können Sie den zuletzt gehörten Sender oder auswählen Wählen Sie aus den bevorzugten voreingestellten Kanälen 01 bis 30

Drücken Sie die Schnellvorlauf- oder Schnellrücklaftaste, um zwischen den zuletzt gehörten und den voreingestellten Kanälen zu wechseln.

6. Drücken Sie die Schnellvorlauf- oder Schnellrücklaftaste, um die Einstellungen für Einmal / Täglich / Wochentage / Wochenende festzulegen Wählen Sie die Tage, an denen der Alarm aktiv ist.

Der Alarm ertönt nur für 1 Tag.

Der Alarm ertönt an 7 Tagen der Woche.

Der Alarm ertönt von Montag bis Freitag.

Der Alarm ertönt am Samstag und Sonntag.

7. Drücken Sie die Schnellvorlauf- oder Rücklaftaste, um die Alarmlautstärke einzustellen, und drücken Sie zur Bestätigung ENTER.

8. Drücken Sie die Schnellvorlauf- oder Rücklaftaste und ENTER, um die Alarmeinstellung zu speichern.

Snooze - Stop Alarm - Alarme deaktivieren:

1. Wenn der Alarm ertönt und Sie die ZZZZ-Taste drücken, wird der Alarm vorübergehend stummgeschaltet (SNOOZE). Sie können eine Zeit zwischen 5, 10, Minuten und Snooze Off auswählen.
2. Die Schlummerfunktion hat auch einen Countdown, mit dem Sie sehen können, wie lange es dauert, bis der Alarm erneut ertönt.


Alarm stoppen

Wenn der Alarm ertönt, können Sie eine beliebige Taste außer der Snooze-Taste einmal drücken, um den Alarmton zu stoppen. Der Horizon kehrt dann in den Standby-Modus zurück.

So aktivieren oder deaktivieren Sie die Alarme 1 oder 2, sobald Sie sie eingestellt haben:

Muss im STANDBY-Modus sein:

Drücken Sie kurz  1/2, um Alarm 1 & 2 einzuschalten

Drücken Sie kurz  1/2, um Alarm 1 & 2 auszuschalten

Sie sehen das Symbol  1 auf dem Bildschirm, wenn Alarm 1 aktiv ist.

Sie sehen das Symbol  2 auf dem Bildschirm, wenn Alarm 2 aktiv ist.

Sie sehen das Symbol  1 /  2 auf dem Bildschirm, wenn Alarm 1 und 2 aktiv sind.

Bluetooth:

Mit Bluetooth können Sie Ihre Musik drahtlos von jedem Bluetooth-fähigen Mediaplayer streamen, einschließlich Smartphones, Tablets, Laptops und anderen MP3-Playern. So koppeln Sie Ihr Gerät zum ersten Mal über Bluetooth:

1. Wählen Sie den Bluetooth-Modus durch Drücken der Taste „MODE“.
2. Nach einigen Sekunden wird auf dem Bildschirm automatisch "BT SEARCHING" und der Lautsprecher angezeigt wechselt in den Pairing-Modus.
3. Führen Sie auf Ihrem Bluetooth-Gerät eine Suche durch und wählen Sie, sobald verfügbar, "AZATOM Horizon 2".
4. Nach 5-20 Sekunden wird auf dem Bildschirm "BT connected" (BT verbunden) angezeigt.
5. Sie können mit dem Streaming über Bluetooth beginnen. Spielen Sie einen beliebigen Ton auf Ihrem Bluetooth-Gerät und Hören Sie auf den Lautsprecher.

Immer wenn der Bluetooth-Modus ausgewählt ist, wechselt der Horizon automatisch in den Pairing-Modus und koppelt entweder mit dem zuletzt gekoppelten Gerät (falls in Reichweite) oder kann mit einem neuen Gerät gekoppelt werden.

AUX-IN:

Im Aux-In-Modus wird Audio von einer externen Quelle wie einem Smartphone oder Tablet wiedergegeben.

1. Schließen Sie das Ende des 3,5-mm-Audiokabels (ausgenommen) an den Kopfhörer- oder Line-Out-Anschluss Ihres Players an. Stecken Sie das andere Ende des Kabels in die AUX-IN-Buchse des Geräts auf der Rückseite des Geräts.
2. Schalten Sie die externe Audioquelle ein und spielen Sie Ihr Gerät ab.
3. Drücken Sie die MODE-Taste, um in den Modus „Auxiliary Input“ zu wechseln.
4. Die Lautstärke kann jetzt über das Hauptgerät geregelt werden. Bedienen Sie alle anderen Funktionen am externen Gerät wie gewohnt.

Hinweis: Vergewissern Sie sich, dass das Kabel nicht angeschlossen ist, um den Horizon in anderen Modi wie DAB oder Bluetooth zu hören.

Werkseinstellungen zurückgesetzt:

Wenn Ihr Radio nicht richtig funktioniert oder einige Ziffern auf dem Display fehlen oder unvollständig sind, können Sie möglicherweise den normalen Betrieb wiederherstellen, indem Sie ein System-Reset Ihres Radios durchführen. Dadurch werden die Einstellungen des Radios auf die Werkseinstellungen zurückgesetzt. Es werden keine Voreinstellungen gespeichert, und die Liste der DAB-Radiosender ist leer.

1. Drücken Sie MENU, um das Menü aufzurufen.
2. Drücken Sie die Schnellvorlauf- oder Rücklaftaste, bis auf dem Display "Einstellungen" angezeigt wird, und drücken Sie dann ENTER, um das Einstellungsmenü aufzurufen.
3. Drücken Sie die Schnellvorlauf- oder Rücklaftaste, bis das Display „Factory Reset“ anzeigt. Drücken Sie Enter.
4. Wenn Sie den Rücksetzvorgang durchführen möchten, drücken Sie die Schnellvorlauf- oder Rücklauf-Taste, bis "JA" angezeigt wird. wird im Display hervorgehoben und drücken Sie. Ein vollständiger Reset Ihres Radios wird durchgeführt. Alle Voreinstellungen und Senderlisten werden gelöscht.

Wenn Sie Ihr Radio nicht zurücksetzen möchten, drücken Sie die Schnellvorlauf- oder Rücklaftaste, bis "NEIN" angezeigt wird hervorgehoben. Ihr Radio kehrt zum vorherigen Menü zurück.

5. Nach einem Systemreset wird ein Scan des DAB-Bandes durchgeführt.

Im Falle einer Fehlfunktion aufgrund elektrostatischer Entladung setzen Sie das Produkt zurück (möglicherweise muss der Netzadapter vorübergehend getrennt werden), um den normalen Betrieb wieder aufzunehmen.

Verwendung von Kopfhörern:

1. Schließen Sie die Kopfhörer an die Kopfhörerbuchse an der Rückseite Ihres Radios an.
2. Vergewissern Sie sich, dass die Lautstärke nicht zu hoch ist, bevor Sie über die Kopfhörer hören.

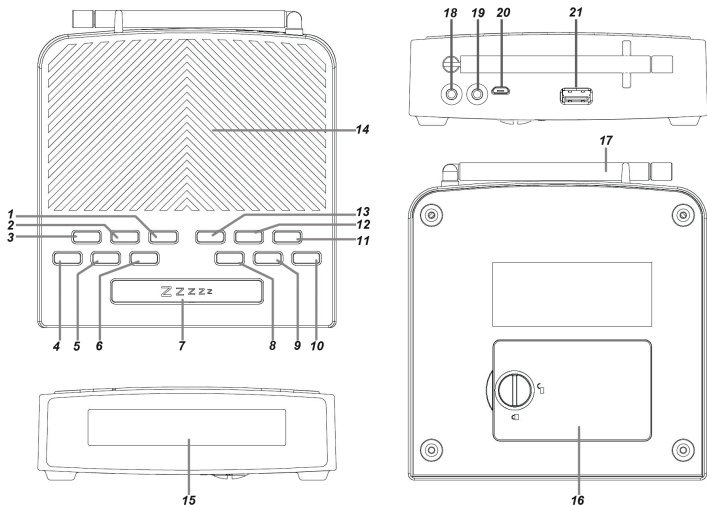


FRANÇAIS

Contenu

Section:	Page:
Commandes et interface	36
Qu'y a-t-il dans la boîte?.....	37
Spécifications techniques.....	38
Utilisation de la radio Horizon DAB	39
Alimentation / utilisation de la batterie / charge USB	
touche	
Utilisation de votre radio	40
Sélection d'une station / Recherche de nouvelles stations de radio	
Scan automatique.....	41
Réglage manuel	
Paramètres de contrôle de la plage dynamique	
FM	
Recherche automatique / Recherche manuelle	42
Stations pré réglées - FM et DAB	
Rappel des pré réglages	43
Réglage de la luminosité / fonction veille	
Réglage heure / date / réglage alarme	
Répéter - Arrêter l'alarme - Désactiver les alarmes	44
Bluetooth / AUX-IN	45
Réinitialisation d'usine / écouteurs (non inclus)	47

Commandes et interface



1. Bouton d'alarme 1/2

2. Touche SLEEP

3. Bouton MODE

4. Bouton ON / OFF

(appuyez pour allumer la radio, appuyez pour mettre l'appareil en veille - vous ne pouvez pas mettre hors tension lorsqu'il est connecté au secteur alimentation, vous ne pouvez éteindre que lorsque vous utilisez la batterie)

5. Touche MENU / INFO
6. VOLUME - bouton
7. Bouton Snooze / Dimmer (Gradateur pour le réglage de la luminosité)
8. Touche VOLUME +
9. Bouton de préréglage
10. Touche Preset 1/2/3/4
11. Touche SCAN / Avance rapide / CH + / TUN +
12. Touche SELECT / PLAY / PAUSE (lecture / pause pour le mode Bluetooth)
13. Bouton de rembobinage / CH- / TUN-
14. Président
15. Affichage LCD
16. Couvercle du compartiment des piles
17. Antenne télescopique
18. Aux-in
19. Prise pour écouteurs
20. Prise d'entrée CC (5V, 500MA)
21. port de charge USB (5v, 500MA pour les téléphones mobiles)

Qu'y a-t-il dans la boîte?

- **AZATOM®** Horizon DAB Radio
- Manuel de l'Utilisateur
- Adaptateur secteur
- **AZATOM®** Manuel de l'Utilisateur

Spécifications techniques

**Alimentation requise (via adaptateur): AC 100-240V 50
/ 60Hz DC 5V 500mA**

Pile: pile alcaline AAA x 4 (1,5 V x 4)

Couverture de fréquence

FM: 87,5-108 MHz

DAB: 174,928 - 239,200 MHz

Caractéristiques du circuit:

Haut-parleur: 3,0 pouces

Puissance de sortie: 3W (haut-parleur)

Prise écouteurs: 3,5 mm de diamètre. stéréo

Système aérien:

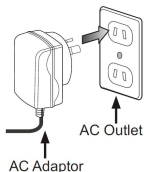
FM: antenne télescopique

DAB: antenne télescopique

Utilisation de la radio Horizon DAB

Alimentation (adaptateur):

Insérez l'adaptateur secteur dans votre prise secteur. Connectez-vous à le port de chargement Micro USB 5 V à l'arrière de l'appareil.




MISE EN GARDE:

Utilisez uniquement l'adaptateur secteur fourni pour cet appareil. N'utilisez pas l'adaptateur secteur inclus pour d'autres appareils.

REMARQUE: Débranchez du secteur pendant de longues périodes de non-utilisation.

Utilisation de la batterie:

Veuillez noter que lorsque vous utilisez le mode batterie, le symbole de batterie "  " apparaîtra sur l'écran d'affichage indiquant le niveau de batterie restant.



Charge USB:

Le port de charge USB est une sortie 5V 500mAh pour charger des appareils supplémentaires tels que les téléphones mobiles.

Utilisation de votre radio - DAB:

1. Déployez soigneusement l'antenne télescopique.
2. Appuyez sur le bouton ON / OFF pour allumer votre radio. L'écran affichera "Bienvenue à la radio numérique."
3. Si c'est la première fois que l'appareil passe en mode DAB, il démarrera automatiquement un «balayage automatique» pour rechercher les stations disponibles. (Une fois que le mode DAB a été utilisé auparavant, l'Horizon sélectionnera automatiquement la station précédemment lue).
4. Appuyez et maintenez "SCAN" à tout moment pour démarrer automatiquement un balayage automatique. Pendant le processus de numérisation, la ligne inférieure de l'écran affiche un graphique à barres indiquant la progression de l'analyse.
5. Une fois le balayage terminé, la première station (dans l'ordre alphanumérique) sera sélectionnée. L'horloge sera automatiquement réglée sur l'heure actuelle.
6. Si la liste des stations est toujours vide après le balayage, votre radio affichera «Service non disponible».
7. Si aucune station n'est trouvée, Assurez-vous que l'antenne est déployée et testez la réception en faisant une autre analyse automatique dans un endroit différent à l'intérieur ou à l'extérieur de votre maison.

Sélection d'une station - DAB:

1. La ligne supérieure de l'écran affiche le nom de la station actuellement sélectionnée.
2. Appuyez sur les boutons Avance rapide ou Retour rapide pour sélectionner la liste des stations disponibles sur la ligne inférieure de l'écran, puis appuyez sur le bouton ENTER pour confirmer la station souhaitée.

Trouver de nouvelles stations de radio - DAB:

1. Appuyez sur l'écran affichera «FULL SCAN».
2. Appuyez sur "SCAN" pour le balayage automatique. L'écran affichera "Scanning ..." et votre radio fonctionnera un balayage des canaux DAB de la bande III. Lorsque de nouvelles stations de radio sont trouvées, le compteur de le côté droit de l'affichage augmentera et les stations de radio seront ajoutées à la liste stockée à la radio.

Services secondaires - DAB:

1. Certaines stations de radio ont des services secondaires supplémentaires qui leur sont associés. Si une station de radio a un service secondaire qui lui est associé, l'écran affichera «>>» à côté du nom de la station sur la liste des stations. Le service secondaire apparaîtra immédiatement après les services primaires comme vous appuyez sur les boutons Avance rapide ou Retour rapide.
2. Appuyez sur ENTER pour sélectionner la station
3. Lorsque le service secondaire s'arrête, votre radio repasse automatiquement en mode principal radio si elle est disponible.

Scan automatique - DAB:

Au lieu de cliquer sur le menu pour sélectionner une station, votre radio peut être réglée pour sélectionner automatiquement une station.

1. Appuyez sur le bouton MENU et les boutons d'avance rapide ou de rembobinage jusqu'à ce que vous trouviez «FULL SCAN».
2. Appuyez sur ENTER pour confirmer la sélection. Lors du réglage de votre radio, un de la liste des stations.

Réglage manuel - DAB:

1. Appuyez sur MENU et sur les boutons Avance rapide ou Retour rapide jusqu'à ce que l'écran affiche «Scan manuel», appuyez sur ENTER pour accéder au menu Services.
2. Appuyez sur les boutons Avance rapide ou Retour rapide pour mettre en surbrillance le canal souhaité.
3. Appuyez sur MENU, le graphique indiquera la force du signal et la ligne supérieure affichera le nom des stations DAB. Toutes les stations trouvées seront ajoutées à la liste enregistrée dans la radio.
4. Appuyez sur MENU pour revenir au mode d'accord normal.

Paramètres de contrôle de la plage dynamique - DAB:

Dynamic Range Control (également connu sous le nom de DRC) est une technologie utilisée pour aider à produire des sons plus silencieux plus facile à entendre dans un environnement bruyant.

1. Appuyez sur le bouton ON / OFF pour allumer votre radio.
2. Appuyez sur MENU puis sur les boutons Avance rapide ou Retour rapide jusqu'à ce que l'écran affiche «DRC». presse ENTER pour accéder au menu des paramètres.
3. Appuyez sur les boutons Avance rapide ou Retour rapide jusqu'à ce que «DRC» soit mis en surbrillance.
4. Appuyez sur ENTER pour accéder au mode de réglage.
5. Appuyez sur les boutons Avance rapide ou Retour rapide pour sélectionner le paramètre DRC requis (la valeur par défaut est 0).

DRC OFF - DRC est désactivé, Broadcast DRC sera ignoré.

DRC LOW - Le niveau DRC est réglé sur 1/2 par rapport à celui envoyé par le diffuseur.

DRC HIGH - Le niveau DRC est utilisé tel qu'il est envoyé par le diffuseur.

6. Appuyez sur MENU pour confirmer le réglage. L'affichage reviendra à la normale.



Remarque: toutes les émissions DAB ne peuvent pas utiliser la fonction DRC.

Recherche automatique - FM:

1. Déployez complètement l'antenne télescopique et appuyez sur le bouton ON / OFF pour allumer votre radio.
2. Appuyez sur MODE pour entrer en mode FM.
3. Appuyez sur le bouton Avance rapide et maintenez-le enfoncé pendant 2 secondes, votre radio va scanner et s'arrêter automatiquement quand il trouve une station de force suffisante.
4. Après quelques secondes, l'affichage se mettra à jour. L'écran affichera la fréquence de la station. Si la le signal est assez fort et la station a des données RDS présentes alors la radio affichera le Nom de la station.
5. Pour trouver d'autres stations, appuyez et maintenez le bouton Avance rapide comme précédemment.
6. Pour balayer la bande FM dans la direction opposée (haute fréquence à basse fréquence), appuyez Bouton Avance rapide et maintenez-le enfoncé pendant 2 secondes.
7. Lorsque le balayage a atteint la fin de la gamme de fréquences, votre radio commencera le réglage depuis le début de la plage de fréquences jusqu'à la fin du balayage.

Syntonisation manuelle - FM:

1. Déployez soigneusement l'antenne télescopique à fond et appuyez sur le bouton ON / OFF pour allumer votre radio.
2. Sélectionnez le mode FM.
3. Appuyez sur les boutons Avance rapide ou Retour rapide pour syntoniser une station. À chaque pression de réglage, la fréquence augmentera ou diminuera de 50 kHz.
4. Lorsque le balayage a atteint la fin de la gamme de fréquences, votre radio commencera le réglage depuis le début de la plage de fréquences jusqu'à la fin du balayage.

Stations préregistrées - FM et DAB:

Vous pouvez enregistrer vos stations de radio DAB et FM préférées dans les mémoires de stations prédéfinies. Là sont 60 préréglages de mémoire dans votre radio, 30 pour DAB et 30 pour FM.

1. Appuyez sur le bouton ON / OFF pour allumer la radio.
2. Sélectionnez la gamme d'ondes souhaitée.
3. Syntonisez la station requise comme décrit précédemment.
4. Appuyez sur la touche «PRESET» et maintenez-la enfoncée, lorsque «Preset Store» s'affiche à l'écran, relâchez le bouton et utilisez les boutons fléchés pour mettre en surbrillance l'emplacement prédéfini souhaité.
5. Appuyez sur ENTER pour confirmer, par exemple, "Préréglage 01 enregistré". La station sera stockée sous le prédéfini choisi. Répétez cette procédure si nécessaire.
6. Les stations qui ont été stockées dans des mémoires prédéfinies peuvent être écrasées en suivant ce qui précède procédure.

Rappel des préréglages:

1. Appuyez sur le bouton ON / OFF pour allumer la radio.
2. Appuyez brièvement sur PRE-SET, puis l'écran affiche «Pre-set Recall» puis appuyez sur ENTER pour la station stockée dans la mémoire préréglée.

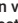
Remarque: Si vous n'avez pas précédemment enregistré une station préréglée et que le bouton préréglé est enfoncé «Vide préréglé» s'affiche.

Paramètres de luminosité:

Appuyez sur le bouton Dimmer / Snooze pour quatre niveaux de luminosité: High, Medium, Low et Sleep low.

Fonction sommeil:

Votre radio peut être réglée pour s'éteindre une fois le temps prédéfini écoulé. Le réglage du sommeil peut être réglé entre 15 et 90 minutes. Assurez-vous que votre radio est allumée.

1. Appuyez sur SLEEP jusqu'à ce que «Set Sleep time» soit mis en surbrillance sur l'écran.
2. Appuyez continuellement sur SLEEP pour régler 15, 30, 45, 60, 75 et 90 minutes ou Sleep Off qui annule la fonction sommeil.
3. L'indicateur de la minuterie de mise en veille «» s'affiche à l'écran. Votre radio s'éteindra après le préréglage le temps de sommeil s'est écoulé.

Réglage heure / date:

Lorsque vous n'avez pas de signal DAB / FM, vous devrez régler l'HEURE et la DATE manuellement.

1. Appuyez sur MENU pour accéder au menu des paramètres.
2. Appuyez sur les boutons Avance rapide ou Retour rapide jusqu'à «Paramètres», appuyez sur ENTER pour confirmer.
3. Appuyez sur les boutons Avance rapide ou Retour rapide jusqu'à «Régler heure / date», appuyez sur ENTER pour confirmer. Ou les boutons Avance rapide ou Rembobinage pour régler l'heure MISE À JOUR AUTOMATIQUE 12/24 heures et la date format également.
4. Appuyez sur les boutons Avance rapide ou Retour rapide et ENTER pour régler l'heure et la date correctes.

Réglage de l'alarme:

REMARQUE: VEUILLEZ SÉLECTIONNER UNE STATION RADIO AVANT DE RÉGLER L'ALARME.

Vous aurez la possibilité de choisir entre la dernière station utilisée ou l'une de vos stations préréglées préférées.

1. Appuyez sur ALARM1 / 2 pour accéder au menu de configuration.
2. Appuyez sur les boutons Avance rapide ou Retour rapide pour régler l'heure de l'alarme et appuyez sur ENTER pour confirmer.
3. Appuyez sur les boutons Avance rapide ou Retour rapide pour régler la durée de 15, 30, 45, 60, 90 minutes et appuyez sur ENTER pour confirmer.

4. Appuyez sur les boutons Avance rapide ou Retour rapide pour définir la source d'alarme et ENTER pour confirmer.

5. Si vous choisissez la radio DAB ou la radio FM comme alarme, vous pouvez choisir parmi la dernière station écoutée ou choisissez parmi vos canaux pré-réglés préférés 01 à 30

Appuyez sur les boutons Avance rapide ou Retour rapide pour faire défiler les dernières chaînes écoutées et pré-réglées.

6. Appuyez sur les boutons Avance rapide ou Rembobinage pour définir les paramètres Une fois / Quotidien / Jours de semaine / Week-ends, choisissez les jours où l'alarme est active.

L'alarme ne retentira que pendant 1 jour seulement.

L'alarme retentit pendant 7 jours de la semaine.

L'alarme retentit du lundi au vendredi.

L'alarme sonnera samedi et dimanche.

7. Appuyez sur les boutons Avance rapide ou Retour rapide pour régler le volume de l'alarme et appuyez sur ENTER pour confirmer.

8. Appuyez sur les boutons Avance rapide ou Retour rapide et ENTER pour enregistrer le réglage de l'alarme.

Répéter - Arrêter l'alarme - Désactiver les alarmes:

1. Lorsque l'alarme sonne, appuyez sur le bouton ZZZZ pour arrêter temporairement (SNOOZE) l'alarme, vous pouvez choisir le temps entre 5, 10, minutes et répéter.


2. La fonction de répétition a également un compte à rebours vous permettant de voir combien de temps avant que l'alarme retentisse.


Arrêter l'alarme

Lorsque l'alarme sonne, vous pouvez appuyer sur n'importe quel bouton, à l'exception du bouton Snooze, une fois pour arrêter le son de l'alarme. L'Horizon reviendra alors en mode veille.

Comment activer ou désactiver vos alarmes 1 ou 2 une fois que vous les avez définies:

Doit être en mode STANDBY:

Appuyez brièvement sur  1/2 pour activer les alarmes 1 et 2

Appuyez brièvement sur  1/2 pour désactiver les alarmes 1 et 2

Vous verrez le symbole  1 sur l'écran d'affichage lorsque l'alarme 1 est active.

Vous verrez le symbole  2 sur l'écran d'affichage lorsque l'alarme 2 est active.

Vous verrez le symbole  1 /  2 sur l'écran d'affichage lorsque les alarmes 1 et 2 sont actives.

Bluetooth:

Bluetooth vous permet de diffuser votre musique sans fil depuis n'importe quel lecteur multimédia compatible Bluetooth, y compris les smartphones, tablettes, ordinateurs portables et autres lecteurs MP3. Pour coupler votre appareil via Bluetooth pour la première fois:

1. Sélectionnez le mode Bluetooth en appuyant sur le bouton "MODE".
2. Après quelques secondes, l'écran dira alors «RECHERCHE BT» et le haut-parleur automatiquement passe en mode d'appairage.
3. Sur votre appareil Bluetooth, effectuez une recherche et une fois disponible, sélectionnez «AZATOM Horizon 2».
4. Après 5 à 20 secondes, l'écran dira «BT connecté».
5. Vous êtes prêt à démarrer la diffusion via Bluetooth. Jouez n'importe quel son sur votre appareil Bluetooth et écoutez sur le haut-parleur.

Chaque fois que le mode Bluetooth est sélectionné, l'Horizon passera automatiquement en mode d'appairage et s'associera avec le dernier appareil couplé (s'il est à portée) ou sera disponible pour être couplé à un nouvel appareil.

AUX-IN:

Le mode Aux-in lit l'audio à partir d'une source externe telle qu'un smartphone ou une tablette.

1. Branchez l'extrémité du câble audio 3,5 mm (exclu) dans le casque ou la prise de sortie de ligne de votre lecteur, branchez l'autre extrémité du câble dans la prise AUX-IN de l'unité à l'arrière de l'unité.
2. Allumez la source audio externe et écoutez votre appareil.
3. Appuyez sur le bouton MODE pour passer en mode «Entrée auxiliaire».
4. Le niveau du volume peut maintenant être contrôlé via l'unité principale. Utilisez toutes les autres fonctions du périphérique externe comme d'habitude.

Remarque: veuillez vous assurer que le câble est déconnecté pour écouter l'Horizon dans d'autres modes tels que DAB ou Bluetooth.

Retour aux paramètres d'usine:

Si votre radio ne fonctionne pas correctement, ou si certains chiffres de l'affichage sont manquants ou incomplets, il peut être possible de rétablir un fonctionnement normal en effectuant une réinitialisation du système sur votre radio. Cela rétablira les paramètres par défaut de la radio. Aucun préréglage ne sera enregistré et la liste des stations de radio DAB sera vide.

1. Appuyez sur MENU pour accéder au menu.
2. Appuyez sur les boutons Avance rapide ou Retour rapide jusqu'à ce que l'écran affiche «Paramètres», puis appuyez sur ENTER pour accéder au menu des paramètres.
3. Appuyez sur les boutons Avance rapide ou Retour rapide jusqu'à ce que l'écran affiche «Factory Reset». Appuyez sur Entrée.
4. Si vous souhaitez effectuer la réinitialisation, appuyez sur les boutons Avance rapide ou Retour rapide jusqu'à ce que «OUI» est mis en surbrillance sur l'écran et appuyez sur. Une réinitialisation complète de votre radio sera effectuée. Tous les préréglages et les listes de stations seront effacés.

Si vous ne souhaitez pas réinitialiser votre radio, appuyez sur les boutons Avance rapide ou Retour rapide jusqu'à ce que «NON» s'affiche. souligné. Votre radio reviendra au menu précédent.

5. Après une réinitialisation du système, un balayage de la bande DAB sera effectué.

En cas de dysfonctionnement dû à une décharge électrostatique, réinitialisez le produit (une déconnexion temporaire de l'adaptateur secteur peut être nécessaire) pour reprendre le fonctionnement normal.

Utilisation d'écouteurs:

1. Branchez les écouteurs dans la prise écouteurs à l'arrière de votre radio.
2. Vérifiez que le niveau de volume n'est pas trop élevé avant d'écouter avec les écouteurs.

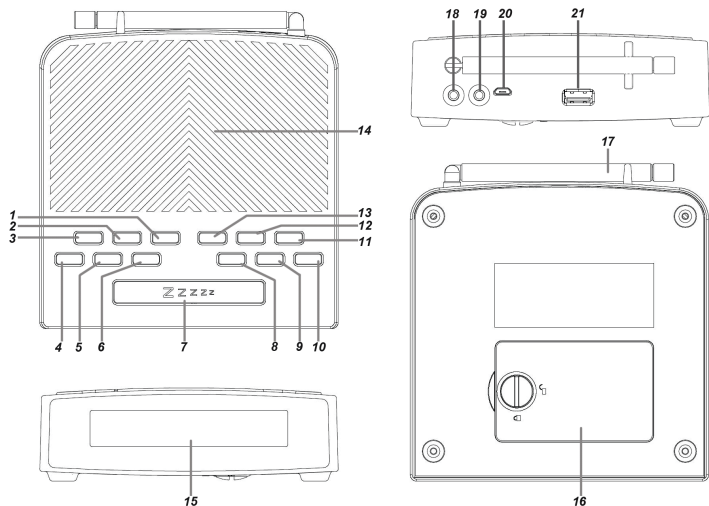


ITALIANO

Contenuti

Sezione:	Pagina:
Controlli e interfaccia.....	52
Cosa c'è nella scatola?.....	53
Specifiche tecniche.....	54
Utilizzo della radio DAB Horizon	55
Alimentazione / Batteria / Carica USB	
TAMPONARE	
Uso della radio	56
Selezione di una stazione / Ricerca di nuove stazioni radio	
Scansione automatica.....	57
Sintonizzazione manuale	
Impostazioni di controllo della gamma dinamica	
FM	
Sintonia ricerca automatica / Sintonia manuale	58
Stazioni preimpostate - FM e DAB	
Richiamo delle preimpostazioni	59
Impostazione luminosità / funzione sleep	
Impostazione ora / data / impostazione sveglia	
Posticipa - Ferma allarme - Disattiva allarmi	60
Bluetooth / AUX-IN	61
Ripristino delle impostazioni di fabbrica / Auricolari (non inclusi)	63

Controlli e interfaccia



1. Pulsante di allarme 1/2

2. Tasto SLEEP

3. Pulsante MODE

4. Pulsante ON / OFF

(premere per accendere la radio, premere per mettere l'unità in standby - non è possibile spegnere quando è collegato alla rete elettrica alimentazione, è possibile spegnere solo quando si utilizza la batteria)

5. Tasto MENU / INFO
6. Tasto VOLUME -
7. Pulsante snooze / dimmer (dimmer per impostazione luminosità)
8. Tasto VOLUME +
9. Pulsante preimpostato
10. Pulsante preimpostato 1/2/3/4
11. Tasto SCAN / Avanzamento rapido / CH + / TUN +
12. Tasto SELECT / PLAY / PAUSE (Riproduci / Pausa per la modalità Bluetooth)
13. Tasto Rewind / CH- / TUN-
14. Altoparlante
15. Display LCD
16. Coperchio vano batteria
17. Antenna telescopica
18. Aux-in
19. Presa auricolare
20. Presa di ingresso CC (5 V, 500MA)
21. Porta di ricarica USB (5v, 500MA per telefoni cellulari)

Cosa c'è nella scatola?

- **AZATOM®** Horizon DAB Radio
- Manuale d'uso
- Adattatore di alimentazione
- **AZATOM®** Scheda di garanzia

Specifiche tecniche

Alimentazione richiesta (tramite adattatore): CA 100-240 V 50/60 Hz CC 5 V 500 mA

Batteria: batteria alcalina AAA x 4 (1,5 V x 4)

Copertura di frequenza

FM: 87,5-108 MHz

DAB: 174.928 - 239.200 MHz

Caratteristiche del circuito:

Altoparlante: 3,0 pollici

Potenza di uscita: 3 W (altoparlante)

Presa per auricolari: 3,5 mm di diametro stereo

Sistema aereo:

FM: antenna telescopica

DAB: antenna telescopica

Utilizzo della radio DAB Horizon

Alimentazione (adattatore):

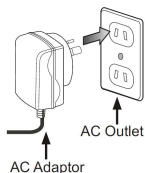
Inserire l'adattatore di rete nella presa di corrente CA. Connettere la porta di ricarica Micro USB da 5 V sul retro del dispositivo.




ATTENZIONE:

*Utilizzare solo l'alimentatore in dotazione per questo dispositivo.
Non utilizzare l'alimentatore incluso per altri dispositivi.*

NOTA: scollegare dall'alimentazione di rete durante periodi di inutilizzo prolungati.



Uso della batteria:

Si noti che quando si utilizza la modalità batteria, sullo schermo viene visualizzato il simbolo della batteria "  " che mostra il livello di batteria rimanente.



Carica USB:

La porta di ricarica USB ha un'uscita di 5 V 500 mAh per caricare dispositivi aggiuntivi come telefoni cellulari.

Uso della radio - DAB:

1. Estendere con attenzione l'antenna telescopica.
2. Premere il pulsante ON / OFF per accendere la radio. Verrà visualizzato il display "Benvenuti nella radio digitale."
3. Se questa è la prima volta che l'unità entra in modalità DAB, avvierà automaticamente una "Scansione automatica" per cercare le stazioni disponibili. (Una volta che la modalità DAB è stata utilizzata in precedenza, l'orizzonte lo farà selezionare automaticamente la stazione precedentemente riprodotta).
4. Premere e tenere premuto "SCAN" in qualsiasi momento per avviare automaticamente una scansione automatica. Durante il processo di scansione, la riga inferiore del display mostra un grafico a barre che indica l'avanzamento della scansione.
5. Al termine della scansione verrà selezionata la prima stazione (in ordine alfanumerico). L'orologio si imposterà automaticamente sull'ora corrente.
6. Se l'elenco delle stazioni è ancora vuoto dopo la scansione, la radio visualizzerà "Servizio non disponibile".
7. Se non viene trovata alcuna stazione, assicurarsi che l'antenna sia estesa e testare la ricezione eseguendo un'altra scansione automatica in una posizione diversa all'interno o all'esterno della casa.

Selezione di una stazione - DAB:

1. La riga superiore del display mostra il nome della stazione attualmente selezionata.
2. Premere i pulsanti Avanzamento rapido o Riavvolgimento per selezionare l'elenco delle stazioni disponibili nella riga inferiore del display, quindi premere il pulsante ENTER per confermare la stazione desiderata.

Trovare nuove stazioni radio - DAB:

1. Premere il display mostrerà "SCANSIONE COMPLETA".
2. Premere "SCAN" per la scansione automatica. Il display mostrerà "Scansione .." e la radio si esibirà una scansione dei canali DAB Band III. Come nuove stazioni radio si trovano il contatore delle stazioni sul lato destro del display aumenterà e le stazioni radio verranno aggiunte all'elenco memorizzato alla radio.

Servizi secondari - DAB:

1. Ad alcune stazioni radio sono associati servizi secondari aggiuntivi. Se una stazione radio ha un servizio secondario associato ad esso il display mostrerà ">>" accanto al nome della stazione acceso l'elenco delle stazioni. Il servizio secondario verrà quindi visualizzato immediatamente dopo i servizi primari come si premono i pulsanti Avanzamento rapido o Riavvolgimento.
2. Premere INVIO per selezionare la stazione
3. Quando il servizio secondario si spegne, la radio tornerà automaticamente alla rete principale stazione radio se disponibile.

Scansione automatica - DAB:

In alternativa al clic sul menu per selezionare una stazione, è possibile impostare la radio per selezionare automaticamente una stazione.

1. Premere il pulsante MENU e i pulsanti Avanzamento rapido o Riavvolgimento fino a trovare "SCANSIONE COMPLETA".
2. Premere INVIO per confermare la selezione. Quando si sintonizza la radio, verrà automaticamente selezionato a stazione dall'elenco delle stazioni.

Sintonia manuale - DAB:

1. Premere MENU e i pulsanti Avanzamento rapido o Riavvolgimento fino a quando sul display non viene visualizzato "Scansione manuale", premere INVIO per accedere al menu Servizi.
2. Premere i pulsanti Avanzamento rapido o Riavvolgimento per evidenziare il canale desiderato.
3. Premere MENU, il grafico indicherà la potenza del segnale e la riga superiore mostrerà il nome delle stazioni DAB. Qualsiasi stazione trovata verrà aggiunta all'elenco memorizzato nella radio.
4. Premere MENU per tornare alla normale modalità di sintonizzazione.

Impostazioni di controllo della gamma dinamica - DAB:

Dynamic Range Control (noto anche come DRC) è una tecnologia utilizzata per aiutare a produrre suoni più silenziosi più facile da ascoltare in un ambiente rumoroso.

1. Premere il pulsante ON / OFF per accendere la radio.
2. Premere MENU quindi i pulsanti Avanzamento rapido o Riavvolgimento fino a quando sul display non viene visualizzato "DRC". stampa ENTER per accedere al menu delle impostazioni.
3. Premere i pulsanti Avanzamento rapido o Riavvolgimento finché non viene evidenziato "DRC".
4. Premere INVIO per accedere alla modalità di regolazione.
5. Premere i pulsanti Avanzamento rapido o Riavvolgimento per selezionare l'impostazione DRC richiesta (il valore predefinito è 0).

DRC OFF - DRC è disattivato, la trasmissione DRC verrà ignorata.

DRC LOW - Il livello DRC è impostato su 1/2 di quello inviato dall'emittente.

DRC HIGH - Il livello DRC viene utilizzato come inviato dall'emittente.

6. Premere MENU per confermare l'impostazione. Il display tornerà alla normalità.



Nota: non tutte le trasmissioni DAB sono in grado di utilizzare la funzione DRC

Sintonia ricerca automatica - FM:

1. Estendere completamente l'antenna telescopica e premere il pulsante ON / OFF per accendere la radio.
2. Premere MODE per accedere alla modalità FM.
3. Premere il pulsante Avanzamento rapido e tenere premuto per 2 secondi, la radio eseguirà la scansione e si fermerà automaticamente quando trova una stazione di forza sufficiente.
4. Dopo alcuni secondi il display si aggiornerà. Il display mostrerà la frequenza della stazione. Se la segnale è abbastanza forte e la stazione ha dati RDS presenti, quindi la radio visualizzerà il Nome stazione.
5. Per trovare altre stazioni, tenere premuto il pulsante Avanzamento rapido come prima.
6. Per scansionare la banda FM nella direzione opposta (da alta frequenza a bassa frequenza) premere il tasto Tasto di avanzamento rapido e tieni premuto per 2 secondi.
7. Quando la scansione ha raggiunto la fine della gamma di frequenza, la radio inizierà la sintonizzazione dall'inizio dell'intervallo di frequenza fino al completamento della scansione.

Sintonia manuale - FM:

1. Estendere con cura l'antenna telescopica fino in fondo e premere il pulsante ON / OFF per accendere la radio.
2. Selezionare la modalità FM.
3. Premere i pulsanti Avanzamento rapido o Riavvolgimento per sintonizzarsi su una stazione. Ad ogni pressione di sintonia della frequenza cambierà su o giù di 50 kHz.
4. Quando la scansione ha raggiunto la fine della gamma di frequenza, la radio inizierà la sintonizzazione dall'inizio dell'intervallo di frequenza fino al completamento della scansione.

Stazioni preimpostate - FM e DAB:

È possibile memorizzare le stazioni radio DAB e FM preferite nelle memorie delle stazioni preimpostate. Là sono 60 preimpostazioni di memoria nella radio, 30 per DAB e 30 per FM.

1. Premere il pulsante ON / OFF per accendere la radio.
2. Selezionare la banda d'onda desiderata.
3. Sintonizzarsi sulla stazione richiesta come precedentemente descritto.
4. Premere e tenere premuto "PRESET", quando "Preset Store" è visualizzato sul display rilasciare il pulsante e utilizzare i pulsanti freccia per evidenziare lo slot preselezionato desiderato.
5. Premere ENTER per confermare, ad esempio, "Pre-set 01 memorizzato". La stazione verrà memorizzata sotto il preselezionato scelto. Ripetere questa procedura secondo necessità.
6. Le stazioni che sono state memorizzate nelle memorie preimpostate possono essere sovrascritte seguendo quanto sopra procedura.

Richiamo delle preimpostazioni:

1. Premere il pulsante ON / OFF per accendere la radio.
2. Premere PRE-SET brevemente, quindi il display mostra "Pre-set Recall", quindi premere ENTER per sintonizzarsi su la stazione memorizzata nella memoria preimpostata.

Nota: se non è stata precedentemente memorizzata una stazione preimpostata e si preme il pulsante di preimpostazione Verrà visualizzato "Empty pre-set".

Impostazioni di luminosità:

Premi il pulsante Dimmer / Ripeti per quattro livelli di luminosità: Alto, Medio, Basso e Sospensione basso.

Funzione sleep:

La radio può essere impostata per spegnersi dopo che è trascorso un tempo prestabilito. L'impostazione del sonno può essere regolata tra 15 e 90 minuti. Assicurarsi che la radio sia accesa.

1. Premere SLEEP fino a quando "Set Sleep time" non viene evidenziato sul display.
2. Premere SLEEP continuamente per impostare 15, 30, 45, 60, 75 e 90 minuti o Sleep Off che lo farà annulla la funzione sleep.
3. L'indicatore del timer di spegnimento " " apparirà sul display. La radio si spegnerà dopo la preimpostazione il tempo di sonno è t_{sc} corso.

Impostazione data / ora:

Quando non si dispone di alcun segnale DAB / FM, è necessario impostare manualmente ORA e DATA.

1. Premere MENU per accedere al menu delle impostazioni.
2. Premere i pulsanti Avanzamento rapido o Riavvolgimento fino a quando "Impostazioni", premere INVIO per confermare.
3. Premere i pulsanti Avanzamento rapido o Riavvolgimento fino a "Imposta ora / data", quindi premere INVIO per confermare. Oppure i pulsanti Avanzamento rapido o Riavvolgimento per impostare l'ora AGGIORNAMENTO AUTOMATICO 12/24 ore e la data formato anche.
4. Premere i pulsanti Avanzamento rapido o Riavvolgimento e INVIO per impostare l'ora e la data corrette.

Impostazione allarme:

NOTA: SELEZIONARE UNA STAZIONE RADIO PRIMA DI IMPOSTARE L'ALLARME.

Ti verrà data la possibilità di scegliere tra l'ultima stazione utilizzata o una delle tue stazioni preselezionate preferite.

1. Premere ALARM1 / 2 per accedere al menu di impostazione.
2. Premere i pulsanti Avanzamento rapido o Riavvolgimento per impostare l'ora della sveglia e premere ENTER per confermare.
3. Premere i pulsanti Avanzamento rapido o Riavvolgimento per impostare la durata 15, 30, 45, 60, 90 minuti e premere INVIO per confermare.

4. Premere i pulsanti Avanzamento rapido o Riavvolgimento Per impostare la sorgente di allarme e INVIO per confermare.

5. Se si sceglie la radio DAB o la radio FM come sveglia, è possibile scegliere dall'ultima stazione ascoltata o scegli tra i tuoi canali preimpostati preferiti da 01 a 30

Premere i pulsanti Avanzamento rapido o Riavvolgimento per scorrere tra gli ultimi canali ascoltati e preimpostati.

6. Premere i pulsanti Avanzamento rapido o Riavvolgimento per impostare l'opzione Una volta / Giornaliero / Giorni feriali / Fine settimana, scegli i giorni in cui è attivo l'allarme.

L'allarme suonerà solo per 1 giorno.

L'allarme suonerà per 7 giorni della settimana.

L'allarme suonerà dal lunedì al venerdì.

L'allarme suonerà sabato e domenica.

7. Premere i pulsanti Avanzamento rapido o Riavvolgimento per impostare il volume della sveglia e premere ENTER per confermare.

8. Premere i pulsanti Avanzamento rapido o Riavvolgimento e INVIO per salvare l'impostazione dell'allarme.

Posticipa - Ferma allarme - Disattiva allarmi:

1. Quando la sveglia suona, premendo il pulsante ZZZZZ si silenzia temporaneamente (SNOOZE) la sveglia, è possibile scegliere il tempo tra 5, 10, minuti e disattivare la ripetizione.


2. La funzione snooze ha anche un conto alla rovescia che consente di vedere quanto tempo prima che la sveglia suoni nuovamente.


Ferma allarme

Quando la sveglia suona, è possibile premere una volta qualsiasi pulsante tranne il pulsante Posticipa per interrompere il suono della sveglia. L'orizzonte tornerà quindi in modalità standby.

Come abilitare o disabilitare gli allarmi 1 o 2 dopo averli impostati:

Deve essere in modalità STANDBY:

Premere brevemente  1/2 per attivare Sveglia 1 e 2

Premere brevemente  1/2 per disattivare le sveglie 1 e 2

Vedrai il simbolo 1 sullo schermo quando Allarme 1 è attivo.

Vedrai il simbolo 2 sullo schermo quando Allarme 2 è attivo.

Vedrai il simbolo 1/2 sullo schermo quando Allarme 1 e 2 sono attivi.

Bluetooth:

Il Bluetooth ti consente di trasmettere la tua musica in modalità wireless da qualsiasi lettore multimediale abilitato Bluetooth, inclusi smartphone, tablet, laptop e altri lettori MP3. Per associare il dispositivo tramite Bluetooth per la prima volta:

1. Selezionare la modalità Bluetooth premendo il pulsante "MODE".
2. Dopo alcuni secondi lo schermo mostrerà automaticamente "BT SEARCHING" e l'altoparlante automaticamente entra in modalità di associazione.
3. Sul tuo dispositivo Bluetooth fai una ricerca e una volta disponibile seleziona "AZATOM Horizon 2".
4. Dopo 5-20 secondi lo schermo visualizzerà "BT connesso".
5. Sei pronto per iniziare lo streaming via Bluetooth. Riproduci qualsiasi suono sul tuo dispositivo Bluetooth e ascolta dall'altoparlante.

Ogni volta che viene selezionata la modalità Bluetooth, Horizon passerà automaticamente alla modalità di associazione e si accoppierà con l'ultimo dispositivo associato (se nel raggio di azione) o sarà disponibile per l'associazione a un nuovo dispositivo.

AUX-IN:

La modalità Aux-in riproduce l'audio da una fonte esterna come uno smartphone o un tablet.

1. Collegare l'estremità del cavo audio da 3,5 mm (escluso) alla cuffia o alla presa di linea sul lettore, inserire l'altra estremità del cavo nella presa AUX-IN dell'unità sul retro dell'unità.
2. Attiva la sorgente audio esterna e riproduci il tuo dispositivo.
3. Premere il pulsante MODE per accedere alla modalità "Ingresso ausiliario".
4. Il livello del volume può ora essere controllato tramite l'unità principale. Utilizzare tutte le altre funzioni sul dispositivo esterno come al solito.

Nota: assicurarsi che il cavo sia scollegato per ascoltare l'orizzonte in altre modalità come DAB o Bluetooth.

Ripristino delle impostazioni di fabbrica:

Se la radio non funziona correttamente o alcune cifre sul display mancano o sono incomplete, potrebbe essere possibile ripristinare il normale funzionamento eseguendo un ripristino del sistema sulla radio. Ciò ripristinerà le impostazioni della radio sui valori predefiniti di fabbrica. Non verrà memorizzata alcuna preselezione e l'elenco delle stazioni radio DAB sarà vuoto.

1. Premere MENU per accedere al menu.
2. Premere i pulsanti Avanzamento rapido o Riavvolgimento fino a quando sul display non viene visualizzato "Impostazioni", quindi premere ENTER per accedere al menu delle impostazioni.
3. Premere i pulsanti Avanzamento rapido o Riavvolgimento fino a quando sul display non viene visualizzato "Ripristino delle impostazioni di fabbrica". Premere Invio.
4. Se si desidera eseguire l'operazione di ripristino, premere i pulsanti Avanzamento rapido o Riavvolgimento fino a quando "Sì" viene evidenziato sul display e premere. Verrà eseguito un ripristino completo della radio. Tutti i preset e gli elenchi delle stazioni verranno cancellati.

Se non si desidera ripristinare la radio, premere i pulsanti Avanzamento rapido o Riavvolgimento fino a quando "NO" non è evidenziato. La radio tornerà al menu precedente.

5. Dopo un ripristino del sistema, verrà eseguita una scansione della banda DAB.

In caso di malfunzionamento dovuto a scariche elettrostatiche, ripristinare il prodotto (potrebbe essere necessario scollegare temporaneamente l'alimentatore) per riprendere il normale funzionamento.

Utilizzando gli auricolari:

1. Inserire gli auricolari nella presa per auricolari sul retro della radio.
2. Controllare che il livello del volume non sia troppo alto prima di ascoltare attraverso gli auricolari.



@AZATOM

**REGISTER YOUR PRODUCT ONLINE. TO LEARN MORE
& REGISTER FOR OUR AZATOM WARRANTY* PLEASE
VISIT: WWW.AZATOM.COM/WARRANTY**

AZATOM® 2020 ALL RIGHTS RESERVED. AZATOM® IS PART OF AZATOM GROUP LIMITED.
SEE SITE FOR SAFETY INFORMATION. AZATOM® RESERVE THE RIGHT TO WITHDRAW ANY AND ALL
PROMOTIONS WITHOUT NOTICE. FOR FULL WARRANTY, EXTENDED WARRANTY AND PROMOTIONAL
OFFER TERMS & CONDITIONS PLEASE VISIT WWW.AZATOM.COM/TERMS-CONDITIONS

*REGISTRATION REQUIRED